



# HC-1125

## Desiccant Dehumidifier

POLYGON EQUIPMENT  
DATASHEET



Property Damage  
Restoration



Temporary  
Humidity Control



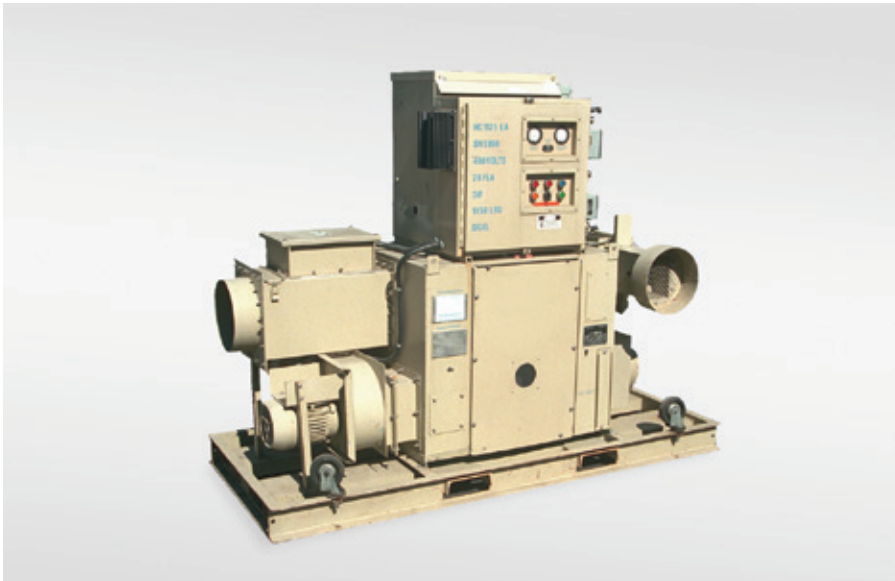
Property Performance  
Services



### Product Description

The HC-1125 is a completely self-contained dehumidifier with an active Titanium Silica Gel desiccant wheel. The system is integrally designed and controlled for superior performance in even the highest humidity load conditions.

- Reactivation utility: electric with solid-state proportioning control. Optional: direct fired gas with modulating gas valve for natural or propane gas
- Dehumidifier housing: process and reactivation air flow insulation. Quiet operation with plenum mounted process fan



Contact Polygon today at **1-800-422-6379** to see how we can engineer an equipment rental program for you, no matter your timescale or environment.

### Features

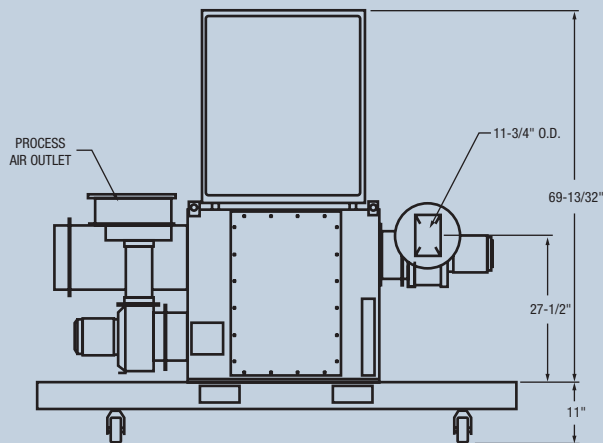
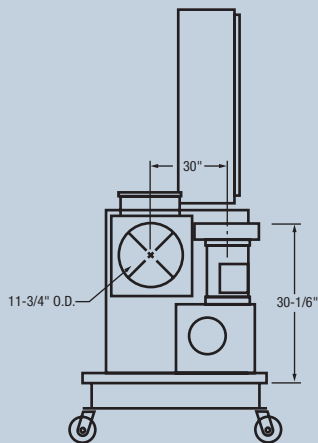
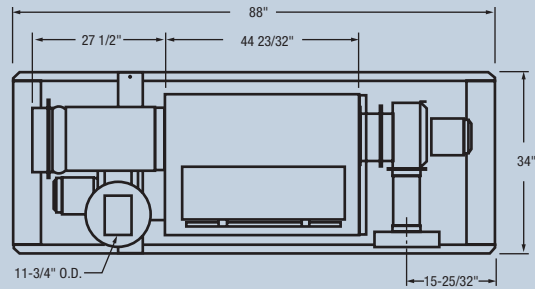
- Process air: flow rates of 600 to 1,500 SCFM. Nominal moisture removal: 30 lb/hr at 75°F, 50% RH at 1,125 SCFM. Delivered air moisture levels of -55°F dew point and lower are attainable
- Contact air seals: separate process and reactivation air pressures up to 8" water gauge with five-year life expectancy
- Process and reactivation fans: centrifugal, direct drive with totally enclosed fan-cooled motors
- Electrical controls: continuous automatic operation including motor starters, overload protective devices and full controls with indicating lights and fault circuits
- Desiccant reactivation via modulating electric, with propane or natural gas optional
- All wiring to NEC codes
- Drive system: simple drive-belt arrangement with few moving parts

### Benefits

- Weather-tight construction for indoor or outdoor use
- Low profile cassette design provides space savings
- Quick access for easy maintenance
- Modulating electric, gas: natural or propane
- Cost savings - 18" deep Titanium Silica Gel desiccant provides optimal drying performance with the least energy consumed
- Lightweight aluminum construction



# HC-1125 Desiccant Dehumidifier

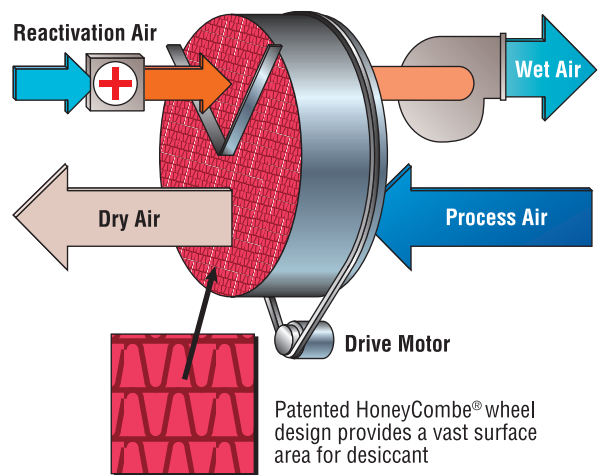


## HC-1125

### Equipment Specifications

- Length: 88"
- Width: 34"
- Height: 80"
- Weight: 560 lbs
- Full Load Amps (FLA): 29 @ 460 volt three phase-electric reactivation
- Fuel required:
  - 2.1 g/hr diesel for electric
  - 1.5 g/hr diesel for gas or steam
  - 1-2 therms natural gas/hr
  - 1-2 gal/hr of propane
- Generator requirements:
  - 30 kW-minimum for electric
  - 20 kW-minimum for gas or steam
- SCFM range: 2.5" ESP @ 600-1,500 SCFM
- NFPA 255-ASTM E84 compliant
- Insurance value: \$28,800

### HoneyCombe® Wheel Technology



### Polygon US Corporation

15 Sharpner's Pond Road, Building F, North Andover, MA 01845  
Tel: 1-800-422-6379 | Fax: 1-978-655-8511 | us\_info@polygongroup.com | www.polygongroup.us

Polygon US Polygon US @polygongroupus WorldofPolygon

